

## Stainless Steel Hose Clips

### ONE-PIECE HOUSING

One piece mechanically interlocked housings are made from a single stamping with no tabs or stakes that can fail under higher tightening torques



### MULTIPLE BAND WIDTHS

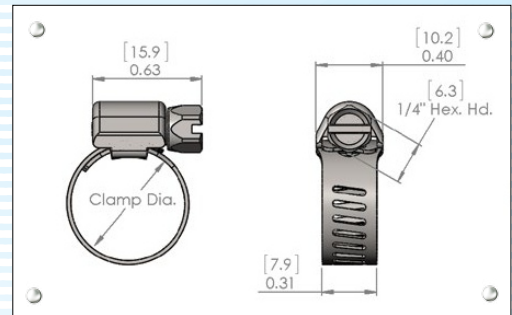
Our three piece clamps are produced in a multitude of band widths in a large variety of sizes, traditionally sized in increments of 1/16"

### RECTANGULAR SHAPED NOTCHES

The rectangular notch design utilizes a radius at each corner which minimizes stress cracking under higher band loads and enhances the overall strength of the band



PRODUCT DIMENSIONS



Part No.	BS No.	Adjustment		Band Width mm	Band Thickness(mm)
		OD / ID (mm)	Inches		
08SS16	16	06 - 16	1/4 - 5/8	8	0.746
08SS20	20	11 - 20	1/2 - 3/4	8	0.746
08SS25	25	15 - 25	5/8 - 1	8	0.746
08SS32	32	18 - 32	3/4 - 1-1/8	12	0.853
12SS20	20	10 - 20	1/2 - 3/4	12	0.853
12SS25	25	14 - 25	5/8 - 1	12	0.853
12SS32	32	18 - 32	3/4 - 1-1/4	12	0.853
12SS51	51	27 - 51	1 - 2	12	0.853
12SS63	63	40 - 63	1-1/2 - 2-1/2	12	0.853
12SS76	76	50 - 76	2 - 3	12	0.853
12SS89	89	65 - 89	2-1/2 - 3-1/2	12	0.853
12SS101	101	78 - 101	3 - 4	12	0.853
12SS114	114	91 - 114	3-1/2 - 4-1/2	12	0.853
12SS127	127	103 - 127	4 - 5	12	0.853
12SS140	140	118 - 140	4-3/4 - 5-1/2	12	0.853
12SS152	152	130 - 152	5 - 6	12	0.853
12SS165	165	143 - 165	5-1/2 - 6-1/2	12	0.853
12SS176	176	155 - 176	6 - 7	12	0.853
12SS38	38	21-38	1-1/2	12	0.853